



# TMD-P46P-PLUSU



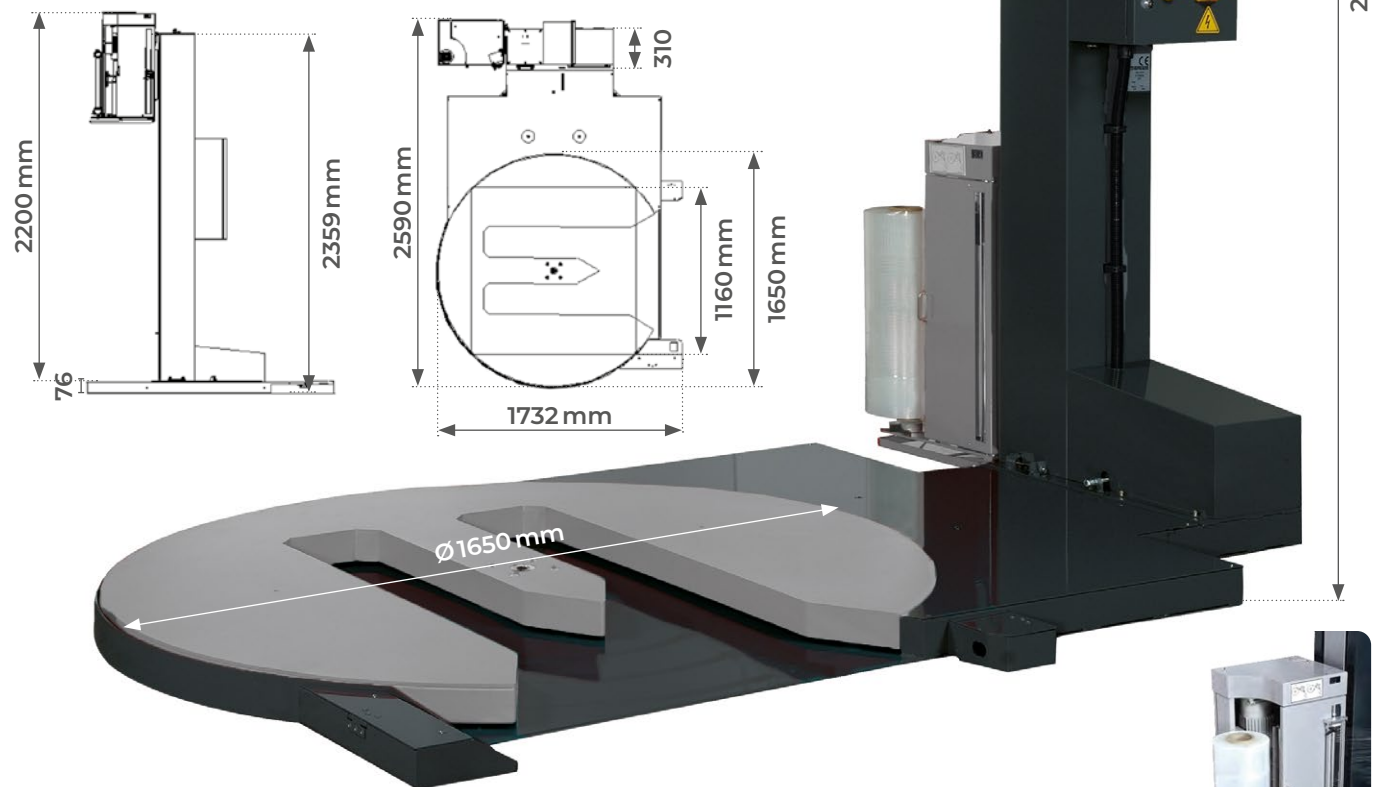
## Professional pallet wrapping machine with motorized pre-stretch and E-type platform

### FEATURES

- Professional wrapping machine
- Motorized pre-stretch up to 300 %
- Engineered to improve productivity, quality and safety
- Fitted with a spring brake
- Turntable stops at the initial position
- Electronic tension adjustment
- Soft start & stop
- Automatic pallet height detection
- Equipped with a standard E-type turntable
- Delivered fully configured



LED control panel in French



Model		TMD-P46P-PLUSU
Stretch wrapping height	mm	2200
Turntable diameter	mm	1650
Rotation per minute	r/min	12
Maximum capacity	kg	1200
Power supply	V	220 single-phase
Engine power	W	1200
Dimensions (LxWxH)	mm	2315 x 1650 x 2346
Weight	kg	519

