

TMD-P46P-PLUSN



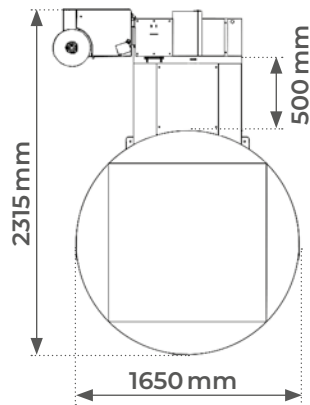
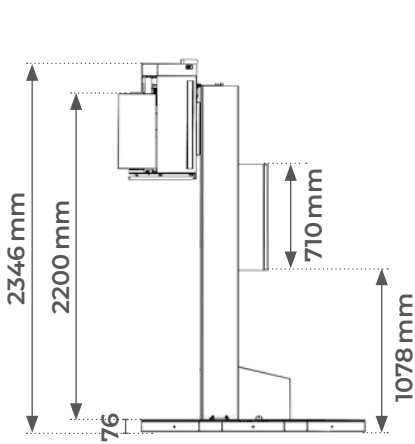
Professional pallet wrapping machine with motorized pre-stretch

FEATURES

- Professional wrapping machine
- Motorized pre-stretch up to 300 %
- Engineered to improve productivity, quality and safety
- Fitted with a spring brake
- Turntable stops at the initial position
- Electronic tension adjustment
- Soft start & stop
- Automatic pallet height detection
- Delivered fully configured



LED control panel

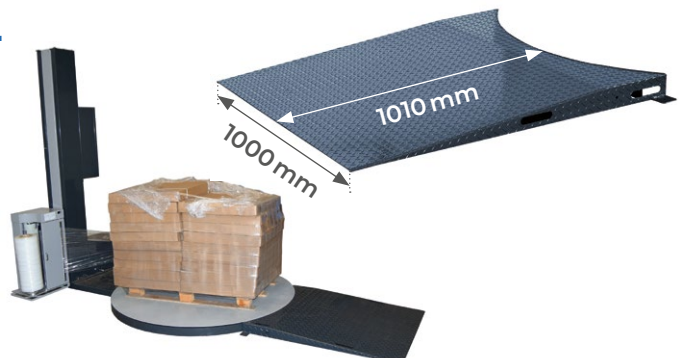


Motorized pre-stretch 300 %



AVAILABLE IN OPTION

Access ramp



Model		TMD-P46P-PLUSN
Stretch wrapping height	mm	2200
Turntable diameter	mm	1650
Rotation per minute	r/min	12
Maximum capacity	kg	1650
Power supply	V	220 single-phase
Engine power	W	1200
Dimensions (LxWxH)	mm	2315x1650x2346
Weight	kg	401