



TMD-C26R



Professional multi-format top/bottom belt case sealing machine

FEATURES

- Fully automatic case sealer
- Automatically adjusts to different carton sizes
- Top and bottom drive belts
- Top and bottom sealing
- Fitted with four swivel castors with brake

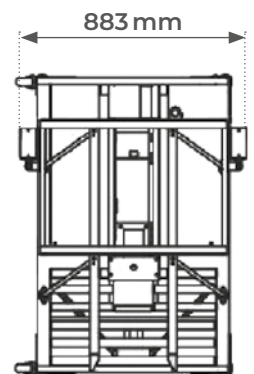
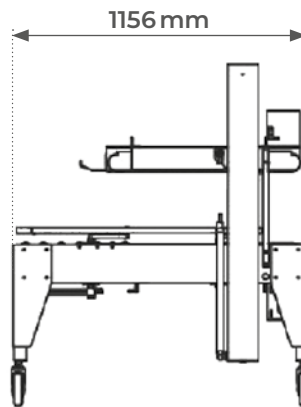
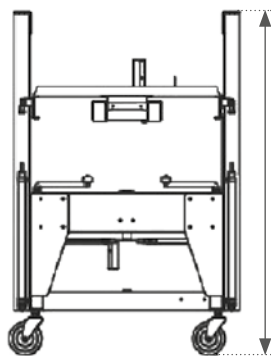
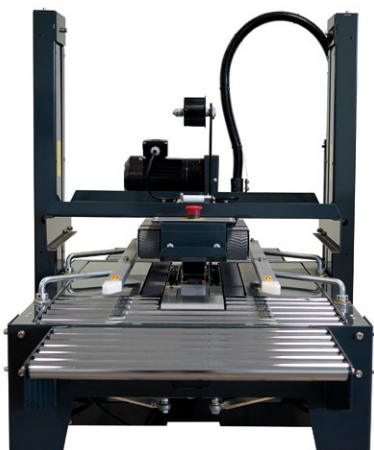


INSTREAM AND DOWNSTREAM CONVEYORS AVAILABLE IN OPTION

Adjustable working height



Panel control



AVAILABLE IN OPTION

- Instream and downstream conveyors
- Safety guarding



Model		TMD-C26R
Adhesive tape width	mm	50 (75 in option)
Box dimensions (LxWxH)	mm	170 to ∞ / 170 to 500 / 80 to 500
Working height	mm	from 600 to 800
Speed	m/min	20
Power supply	V/Hz	220 single-phase / 50
Engine power	W	450
Dimensions (LxWxH)	mm	1156x883x1340
Weight	kg	170