

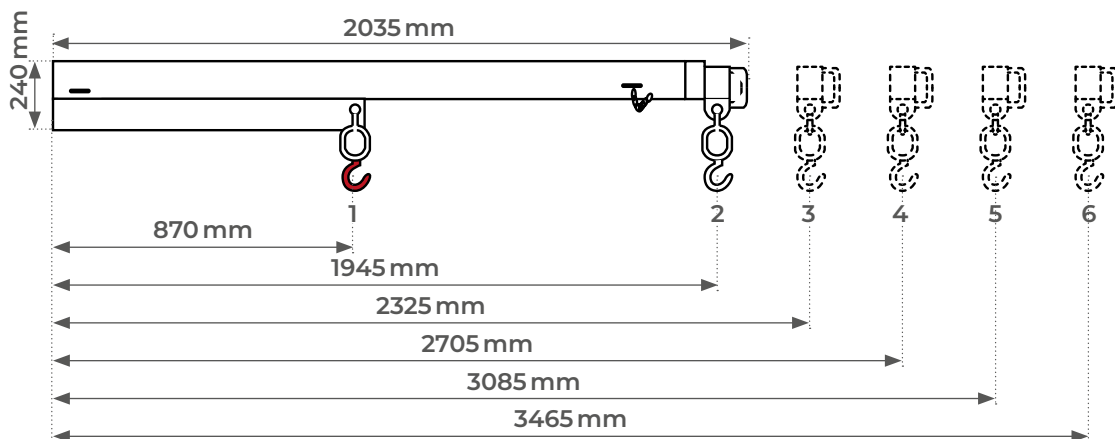
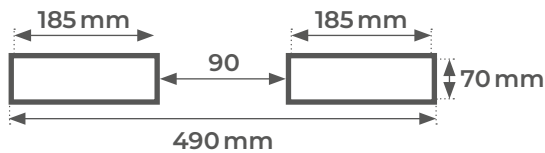
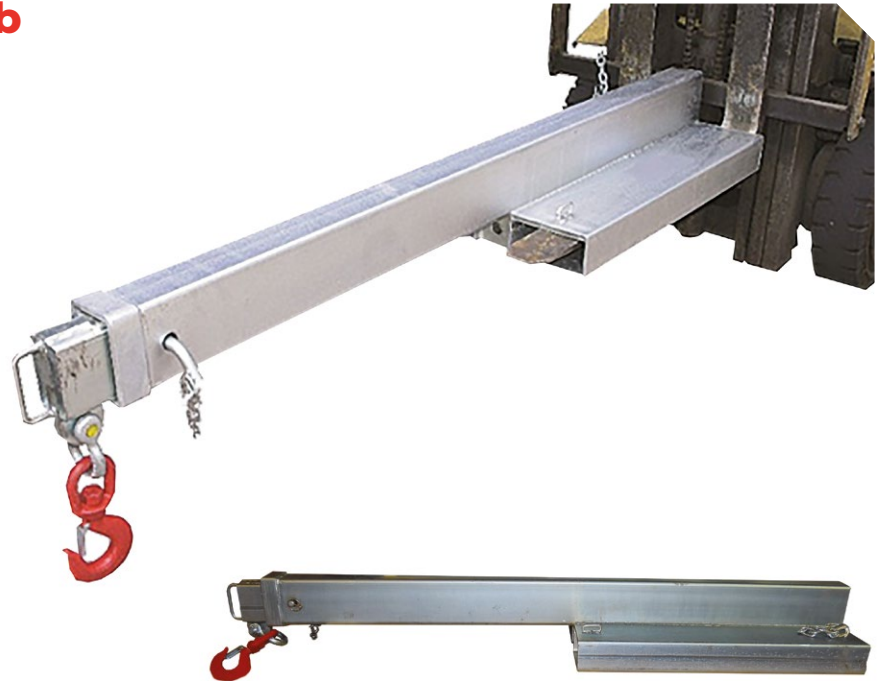
TLBG45



Extendable forklift jib 4500 kg

FEATURES

- Robust steel structure
- Safety chain to secure the device to the forklift
- Delivered with shackle and 360° swivel sling hook
- Cold galvanized finish



**PLEASE VERIFY
ATTACHMENT MATCHES
FORKLIFT CAPACITIES**

Model	TLBG45						
Position		1	2	3	4	5	6
Extension	mm	870	1945	2325	2705	3085	3465
Max. load	kg	4500	1300	750	560	380	200
Weight	kg	140					