

SCP05E



Electric lifting pivoting counterbalance shop crane 500 kg

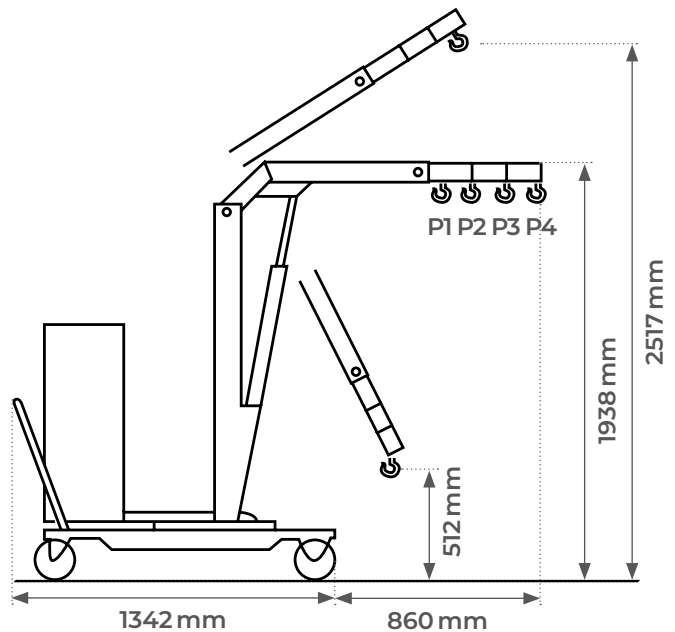
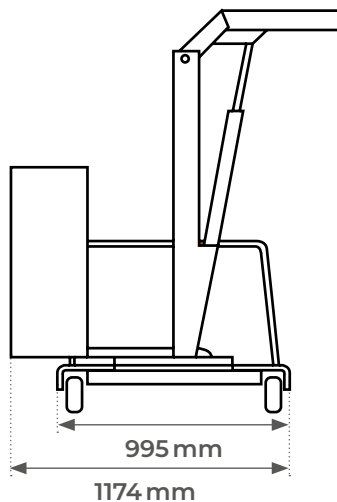
FEATURES

- Versatile and easy to operate
- Electric lift
- High accuracy positioning
- Load capacity: 500 kg capacity (built-in ballast)
- Mast rotation adjustable in eight positions
- Delivered with a shackle and 360° rotating large opening hook
- Epoxy paint coating
- Three-year warranty



Remote control

EXCLUSIVE PARTNER



Model		SCP05E
Load capacity	kg	500
Overall dimensions (L x W x H)	mm	1797 x 1174 x 1938
Battery	V/Ah	12/8
Wheels	mm	Ø 200
Total weight	kg	651

Position		1	2	3	4
Length	mm	455	590	725	860
Load capacity	kg	500	420	370	320