

RT16/20PRO ♦ RT20PROPLUS



Reach truck 1600 and 2000 kg maximum load capacity and up to 12500 mm lifting height

SAFETY AND RELIABILITY

ENERGY EFFICIENCY

FEATURES

- The RT series reach trucks are state-of-the-art technology equipped with the latest communication and information systems and plenty of functions
- Their particularly well-thought design focuses on operator comfort and modernity
- Thanks to the innovative design of its chassis, RT reach trucks ensure perfect stability and safety during high-level order picking operations
- The driver's cabin arranged design and outstanding visibility allow the operator to work in better conditions, which increases productivity and limits MSD (musculoskeletal disorders)
- As safety is paramount, RT series reach trucks come as standard with an automatic speed control system depending on the fork height. Also, the maximum travel speed automatically reduces when cornering to prevent tipping
- The RT trucks are also equipped with a standard system that increases the forks' lowering speed to improve productivity
- RT trucks are equipped with a regenerative braking mechanism to ensure the optimum duration of use

Available in option

- Wireless camera
- Height pre-selector system
- Integrated side shift for RT16PRO et RT20PRO (comes standard on RT20PROPLUS)
- Battery side extraction
- Lithium-ion battery



Robust construction and excellent stability



The chassis's robust construction and weight distribution guarantee excellent stability.



An intelligent system of shock absorbers and sensors has been implemented to limit the vibrations and jolts felt by the operator during mast extension phases.



The mast width of only 690 mm allows the operator to see the pallet from both sides. In addition, the chains and cylinders location and the roof cabin design ensure outstanding visibility.

Available in option



RT series reach trucks can be equipped with a premium wireless camera: 2.4 GHz frequency, IP 69, powered by an 8000 Ma battery, high-resolution 1280 x 960 px screen (720 P).



RT series reach trucks can also be equipped with a height pre-selector system, improving productivity and making stacking operations safer, especially at great heights.

Integrated side shift can be implemented on RT16PRO and RT20PRO (this function comes standard on RT-20PRPLUS).

Battery side extraction in option.

HIGH-END COMPONENTS



Curtis controllers
(American)

Control panel Curtis
(allemand)

ZF drive unit
(German)



AC Schabmüller traction motor
(German)



Power steering Schabmüller
(German)

Lifting motor KDS
(German)



Buchholz relay
(German)

Quiet gear pump
Shimadzu
(Japanese)



Elobau fingertip joystick
(German)

Contactors Albright
(English)



INTORQ

Intorq brakes
(German)

Manuli hydraulic hoses and fittings
(Italian)



AMP Netconnect connectors
(American)

High-end components reduce maintenance costs and guarantee high performance and reliability when performing the most intense operations.

Comfortable driving and easy use



The Curtis control panel is intuitive and contains all information needed to make optimal use of the truck:

- Driving modes selection: intense, comfort and economy
- Visible orientation of the steering wheel
- Battery level
- Hour meter
- Travel speed



Adjustable backrest and shock-absorbing seat.



Spacious cabin and ergonomic design ensure optimal comfort.



The RT reach trucks come as standard with the world's reference for fingertip joystick, Elobau.



elobau 
sustainable solutions



The electronic power steering system (AC EPS) renders the steering smooth and precise. Moreover, the 180° / 360° electric steering can be switched on in real-time.

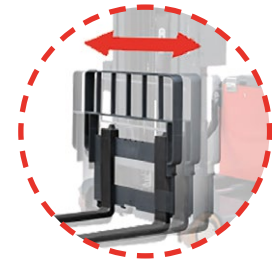
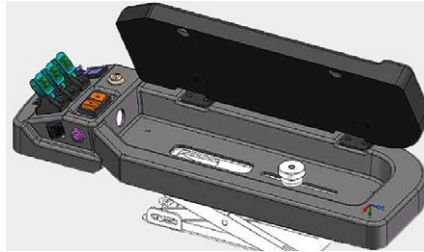




The height and depth adjustable steering wheel offers greater comfort and a better driving position.



The sliding control console is adjustable in height and has a storage space.

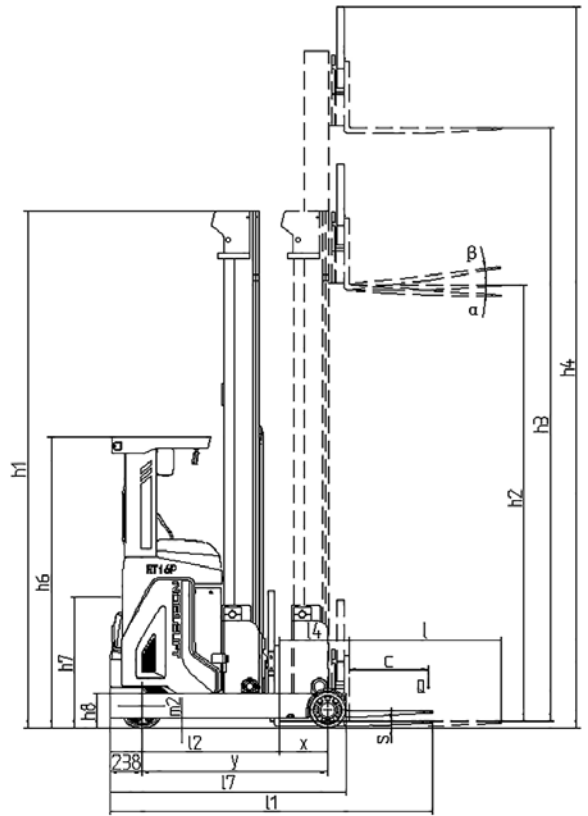
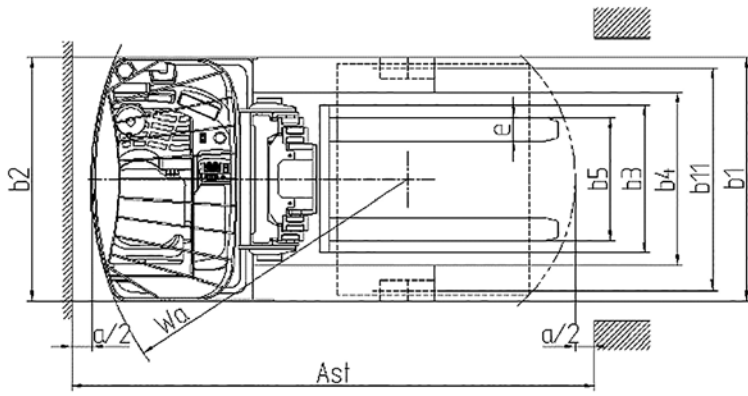


Standard side shift function

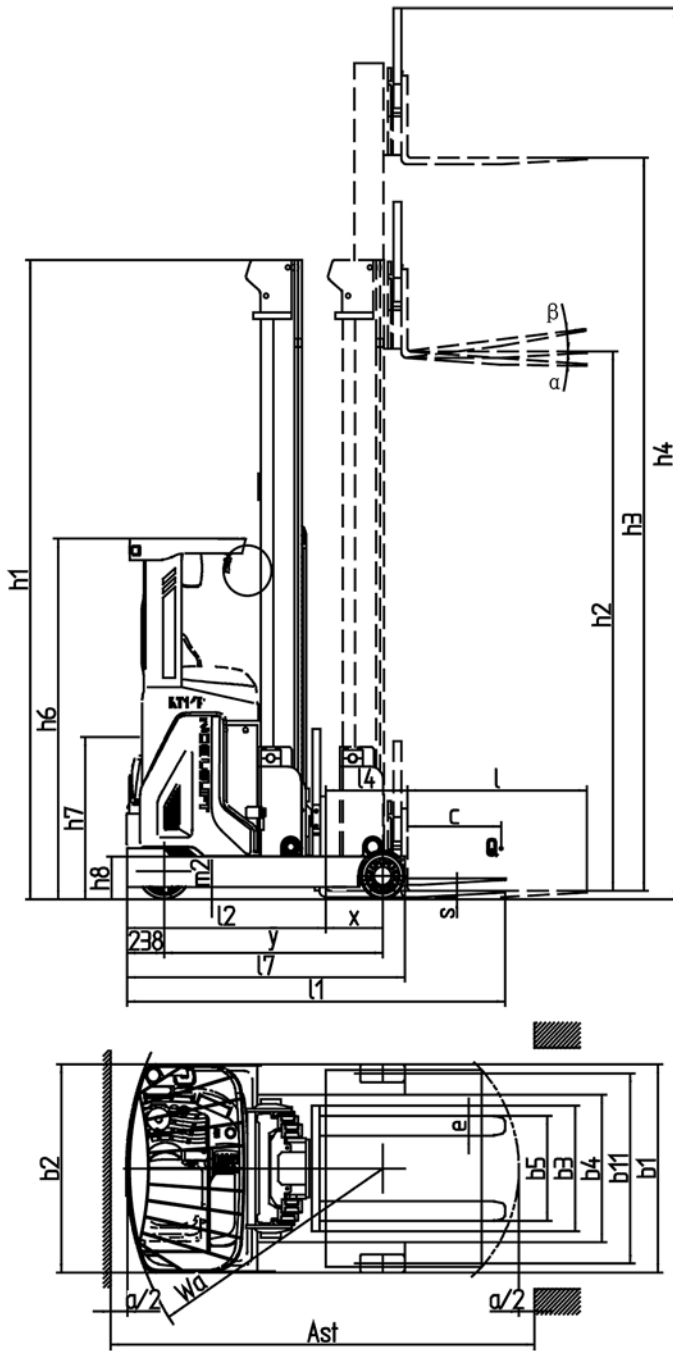
The side shift function allows the operator to position a load on a rack accurately, especially in narrow areas, without moving the stacker.



Cabin roof specially studied to guarantee better visibility.



Stockman Reference	Mast	Mast lowered height h1 (mm)	Free lift h2 (mm)	Standard lift h3 (mm)	Load capacity (kg)	Forks tilting α/β(°)	Weight (kg)
RT16PRO							
RT16P45	Triplex	2235	1563	4500	1600	4/-2	3307
RT16P50		2400	1730	5000	1600	4/-2	3351
RT16P55		2568	1897	5500	1600	4/-2	3395
RT16P60		2735	2063	6000	1600	4/-2	3439
RT16P65		2900	2230	6500	1500	4/-2	3483
RT16P70		3068	2397	7000	1400	4/-2	3527
RT16P75		3234	2563	7500	1200	4/-2	3571
RT16P80		3400	2730	8000	1000	4/-2	3615
RT16P85		3567	2897	8500	900	4/-2	3659
RT16P90		3734	3063	9000	800	4/-2	3703
RT16P95	3900	3230	9500	600	4/-2	3747	
RT20PRO							
RT20P45	Triplex	2235	1563	4500	2000	4/-2	3585
RT20P50		2400	1730	5000	2000	4/-2	3625
RT20P55		2568	1897	5500	2000	4/-2	3665
RT20P60		2735	2063	6000	2000	4/-2	3705
RT20P65		2900	2230	6500	1900	4/-2	3746
RT20P70		3068	2397	7000	1800	4/-2	3808
RT20P75		3234	2563	7500	1600	4/-2	3848
RT20P80		3400	2730	8000	1400	4/-2	3888
RT20P85		3567	2897	8500	1200	4/-2	3928
RT20P90		3734	3063	9000	1000	4/-2	3967
RT20P95	3900	3230	9500	800	4/-2	4007	



Stockman Reference	Mast	Mast lowered height h_1 (mm)	Free lift h_2 (mm)	Standard lift h_3 (mm)	Load capacity (kg)	Forks tilting α/β (°)	Weight (kg)
RT20PROPLUS							
RT20P100	Triplex	4067	3397	10000	900	4/-2	4790
RT20P105		4234	3563	10500	800	4/-2	4830
RT20P110		4400	3730	11000	700	4/-2	4870
RT20P115		4567	3897	11500	600	4/-2	4910
RT20P120		4733	4063	12000	550	4/-2	4950
RT20P125		4900	4230	12500	500	4/-2	4990



Technical data according to VDI 2198 regulation						
Specifications	1.2	Product Reference ♦ Model		RT16PRO	RT20PRO	RT20PROPLUS
	1.3	Power supply			battery	
	1.4	Operator type			seated	
	1.5	Load capacity	Q(t)	1,6	2	2
	1.6	Load center distance	c(mm)	600	600	600
	1.8	Distance from carriage to caster axle	x(mm)	365/176	395/200	405/234
	1.9	Wheelbase	y(mm)	1400	1500	1590
Weight	2.1	Weight (batteries included)	kg	see table opposite		
	2.3	Axle load unladen front/rear	kg	2420/1540	2560/1660	-/-
	2.4	Axle loading fork advanced, laden front/rear	kg	830/4760	746/5474	-/-
	2.5	Axle loading fork retracted, laden front/rear	kg	2100/3460	2270/3950	-/-
Wheels	3.1	Wheels		polyurethane (PU)		
	3.2	Steering wheel dimensions	Øxw(mm)	Ø343x140	Ø343x140	Ø406x152
	3.3	Load rollers dimensions	Øxw(mm)	Ø285x110	Ø330x110	Ø330x140
	3.5	Number of front/rear wheels (x=driving wheel)		1x/2	1x/2	1x/2
	3.7	Load roller wheelbase	b11(mm)	1160	1160	1290
Dimensions	4.1	Tilt of fork carriage forward/backward	°	4/-2	4/-2	4/-2
	4.2	Mast lowered height	h1(mm)	see table opposite		
	4.3	Free lift	h2(mm)	see table opposite		
	4.4	Standard lift	h3(mm)	see table opposite		
	4.5	Mast raised height	h4(mm)	see table opposite		
	4.7	Height of overhead guard (cabin)	h6(mm)	2200	2200	2200
	4.8	Seat height	h7(mm)	960	960	1100
	4.10	Straddle legs height	h8(mm)	270	270	270
	4.15	Fork lowered height	h13(mm)	40	40	40
	4.19	Overall length	l1(mm)	2412	2488	2580
	4.20	Front axle to fork face length	l2(mm)	1262	1338	1430
	4.21	Overall width	b1(mm)	1270	1270	1430/1270
	4.22	Fork dimensions	s/e/l(mm)	35/100/1150	40/120/1150	40/120/1150
	4.25	Width across forks	b5(mm)	200/740	200/740	240/740
	4.26	Distance between straddle legs	b4(mm)	900	900	1000
	4.28	Reach distance	l4(mm)	525	595	640
	4.31	Ground clearance, laden, below mast	m1(mm)	90	90	90
4.32	Ground clearance	m2(mm)	75	75	75	
4.33	Aisle width for 1000x1200 mm pallets crossways	Ast(mm)	2720	2840	2880	
4.34	Aisle width for 800x1200 mm pallets lengthways	Ast(mm)	2780	2900	1975	
4.35	Turning radius	Wa(mm)	1650	1750	1840	
4.37	Length across straddle legs	l7(mm)	1780	1900	2000	
Performances	5.1	Travel speed, laden/unladen	km/h	10,5/10,5	10,5/10,5	10/11
	5.2	Lift speed, laden/unladen	mm/s	350/500	350/500	350/500
	5.3	Lowering speed, laden/unladen	mm/s	450/450	450/450	450/450
	5.8	Gradeability laden/unladen	%	10/10	10/10	10/10
	5.10	Service brake		hydraulique/électrique		
Electrical system	6.1	Drive motor rating S2 60 min	kW	6,4	6,4	7
	6.2	Lift motor rating at S3 15%	kW	12,5	12,5	12,5
	6.4	Battery voltage, nominal capacity K5	V/Ah	48/420	48/560	48/700
	6.5	Battery weight	kg	750	950	1145
Additional data	8.1	Type of drive control		AC	AC	AC
	8.4	Noise level at driver's ear acc. to EN12053	dB(A)	68	68	68

RESIDUAL CAPACITY

SX ♦ Single

DX ♦ Duplex

TX ♦ Triplex

SL ♦ Straddle legs

FFL ♦ Full free lift

LI ♦ Initial lift

LP ♦ Proportional lift

DA ♦ Electrical power steering

SC ♦ Built-in weighing scale

CP ♦ Pin code

RT20PRO ♦ pp. 150 TO 157

RT20P45 TX

RT20P50 TX

RT20P55 TX

RT20P60 TX

RT20P65 TX

RT20P70 TX

RT20P75 TX

RT20P80 TX

RT20P85 TX

RT20P90 TX

RT20P95 TX

