

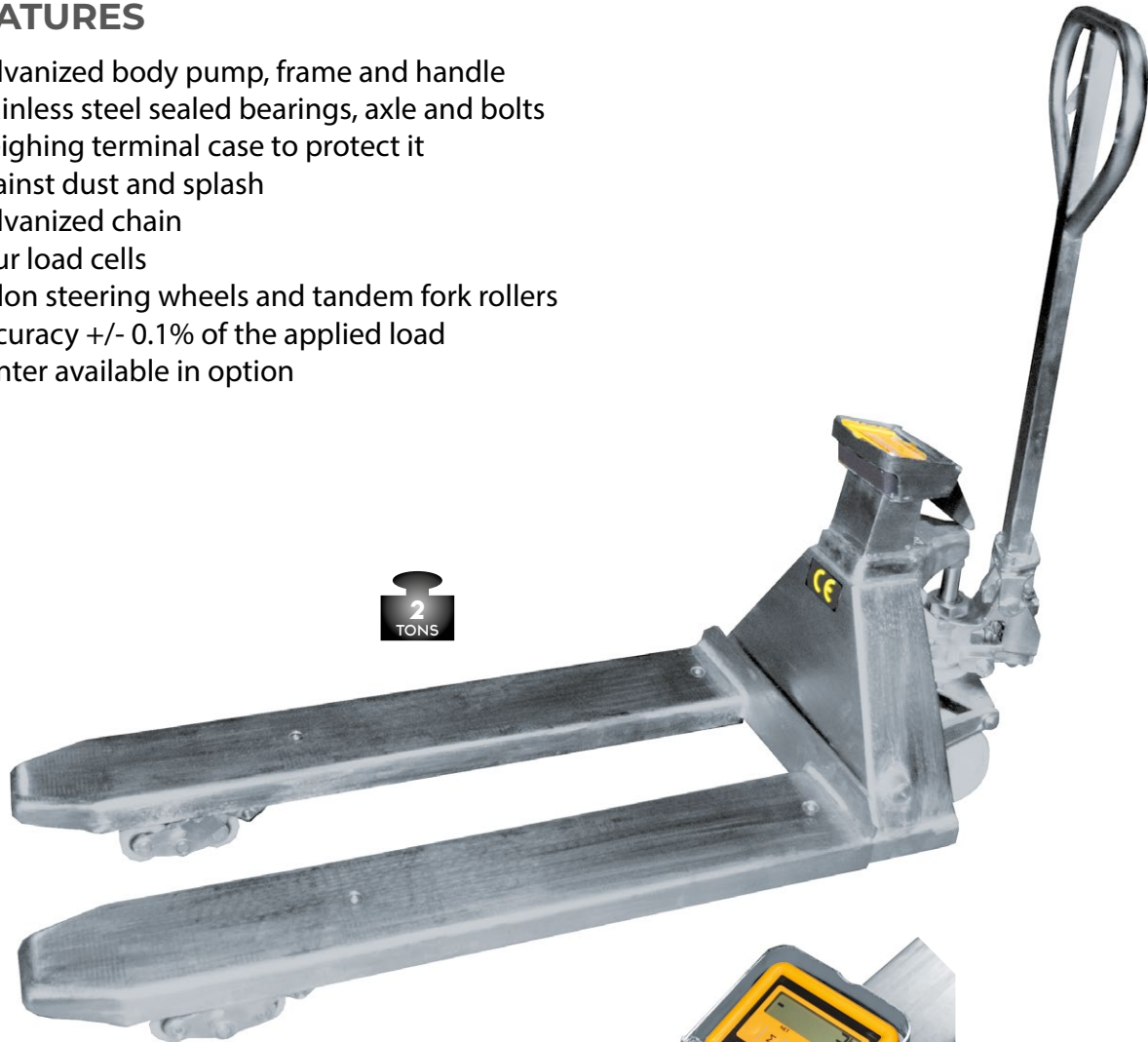
PTG20SC



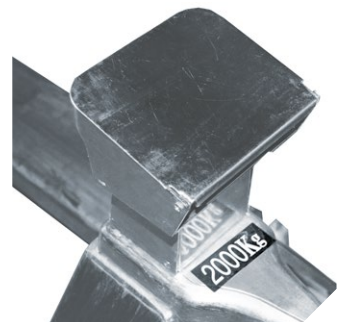
Galvanized weighing scale pallet truck 2000 kg

FEATURES

- Galvanized body pump, frame and handle
- Stainless steel sealed bearings, axle and bolts
- Weighing terminal case to protect it against dust and splash
- Galvanized chain
- Four load cells
- Nylon steering wheels and tandem fork rollers
- Accuracy +/- 0.1% of the applied load
- Printer available in option



Weighing terminal protection



Model		PTG20SC
Load capacity	kg	2000
Weighing accuracy	%	0,1
Printer		in option
Min./max. forks height	mm	85/205
Fork length	mm	1150
Width across forks	mm	555
Fork width	mm	180
Power supply		batteries
Graduation	kg	1
Nylon rollers	mm	Ø80x70
Nylon steering wheels	mm	Ø200x50
Weight	kg	122