

PT16L ♦ PT20L ♦ PT25L



**Pedestrian powered pallet truck
1600, 2000 and 2500 kg maximum load capacity**

DESCRIPTION

The PTL series high-end components design and forefront technology have their place on the premium segment market of electric pallet trucks.

FEATURES

- Ergonomic, compact and maneuverable
- Competitive and robust
- Powerful, maintenance-free AC motor
- Core components from top brands





Photos and dimensions are not contractual. The manufacturer reserves the right to make any modification without notice, in order to improve the performance of the equipment.



German AC traction motor

The powerful German Schabmueller AC traction motor along with Kordel drive unit, Intorq brake and Wicke steering wheels are the perfect combination to provide the best performance, safety and flexibility under any circumstances.



Long steering to improve ergonomics and safety

A long steering handle guarantees the operator is at a safe distance from the pallet truck. Its design ensures less operational effort compared to short handle pallet trucks. The handle height provides comfort and thanks to its ergonomic design; the operator can easily access all pallet truck buttons.



CAN-BUS technology

The multiplexing system CAN-BUS increases the unit's performance and reduces maintenance downtime.

CAN-BUS

Easy maintenance

The pallet truck and its parts have been specially designed to perform maintenance and service with ease. With only two screws, the cowl can be easily removed for easy access to all components. Wheels and rollers can be easily replaced without a lifting device.



Long lasting battery capacity

Each PTL series has a battery for a specific type of use:

- PT16L has a 160 Ah 2VBS battery suitable for short length pallet trucks used in narrow operating areas;
- PT20L has a 210 Ah DIN 2 PzS battery;
- PT25L has a 350 Ah DIN 3 PzS battery with a standard side-mounted compartment for long operations and several shifts use.



Strong and durable design

PTL pallet trucks series chassis is highly robust and its mainframe is 8 mm thick.

The stainless steel battery reduces maintenance costs and possible damages significantly.

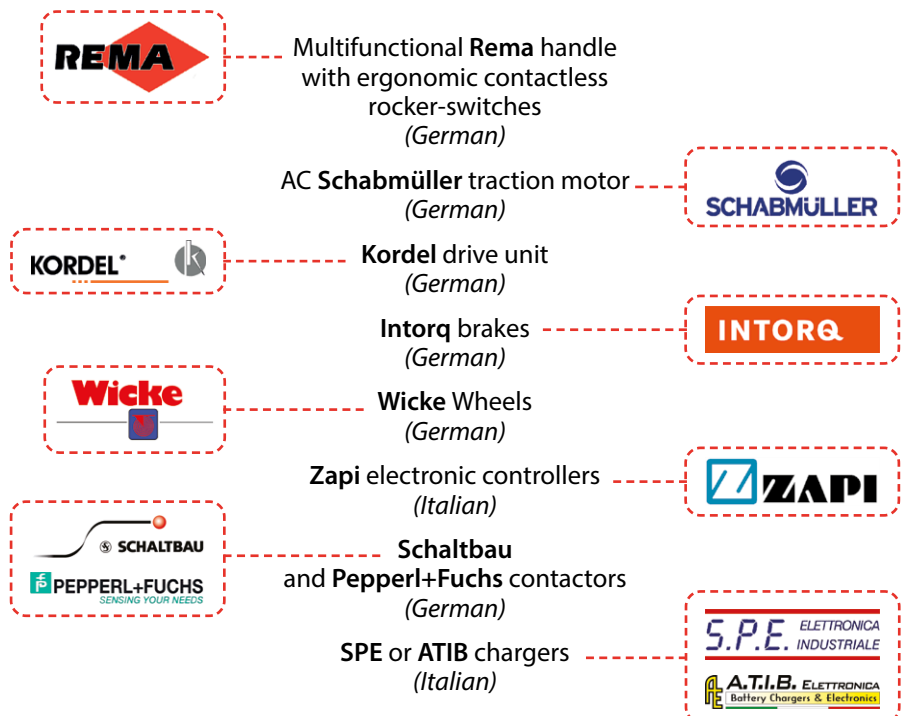
The traction motor and brakes are well protected. Zapi motor controller (IP54) is dust and splash-resistant. Moreover, the controller on PT20L can be fully customized to meet specific user requirements.

Available in option

- Load backrest
- Side battery extraction
- Different fork dimensions available on demand
- Automatic battery filling system

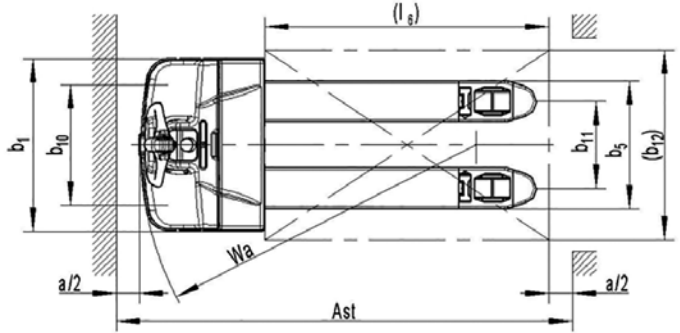
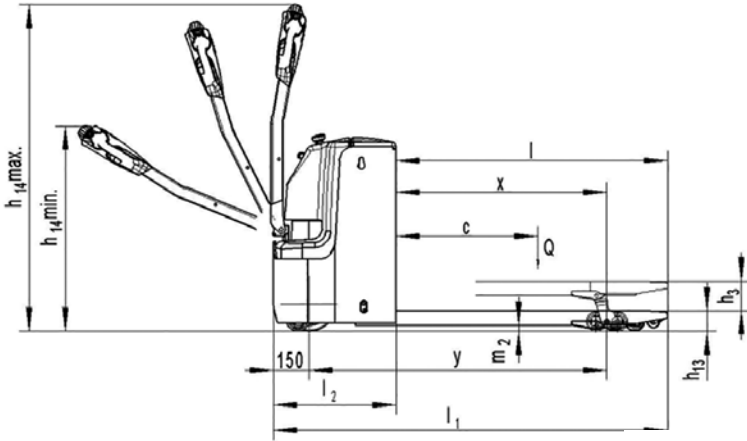


HIGH-END COMPONENTS

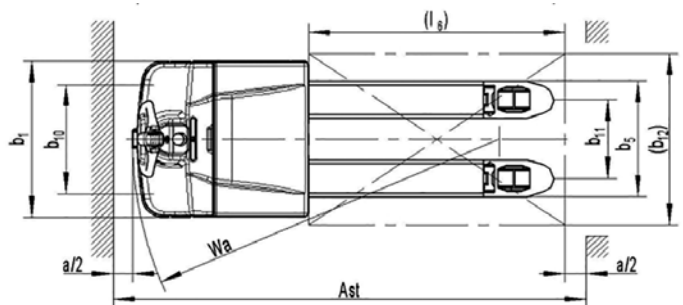
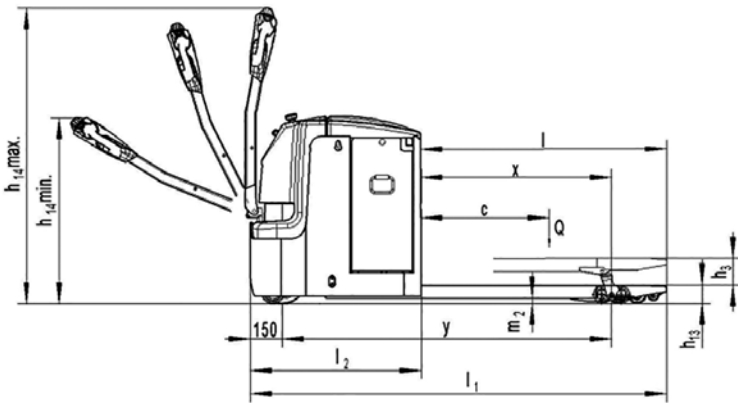


High-end components reduce maintenance costs and guarantee high performance and reliability when performing the most intense operations.

PT16L / PT20L



PT25L



Technical data according to VDI 2198 regulation						
Specifications	1.2	Product Reference ♦ Model		PT16L	PT20L	PT25L
	1.3	Power supply		battery		
	1.4	Operator type		pedestrian		
	1.5	Rated load capacity	$Q(t)$	1,6	2	2,5
	1.6	Load center	$c(mm)$	600	600	600
	1.8	Distance from carriage to caster axle	$x(mm)$	892	892	892
	1.9	Wheelbase	$y(mm)$	1261	1327	1541
Weight	2.1	Weight (batteries included)	kg	445	535	720
	2.2	Axle load laden front/rear	kg	715/1330	855/1680	1040/2200
	2.3	Axle load unladen front/rear	kg	345/100	415/120	540/200
Wheels	3.1	Wheels		polyurethane (PU)		
	3.2	Steering wheel dimensions	$\emptyset \times w(mm)$	$\emptyset 230 \times 70$	$\emptyset 230 \times 70$	$\emptyset 230 \times 70$
	3.3	Load rollers dimensions	$\emptyset \times w(mm)$	$\emptyset 84 \times 84$	$\emptyset 84 \times 84$	$\emptyset 84 \times 84$
	3.4	Stabilizing rollers dimensions	$\emptyset \times w(mm)$	$\emptyset 100 \times 40$	$\emptyset 100 \times 40$	$\emptyset 100 \times 40$
	3.5	Number of front/rear wheels (x=driving wheel)		1x+2/4	1x+2/4	1x+2/4
	3.6	Front axle wheelbase	$b10(mm)$	510	510	510
	3.7	Load roller wheelbase	$b11(mm)$	367/512	367/512	367/512
Dimensions	4.4	Standard lift	$h3(mm)$	125	125	125
	4.9	Tiller height in drive position min/max	$h14(mm)$	800/1335	800/1335	800/1335
	4.15	Fork lowered height	$h13(mm)$	85	85	85
	4.19	Overall length	$l1(mm)$	1670	1735	1950
	4.20	Front axle to fork face length	$l2(mm)$	520	595	810
	4.21	Overall width	$b1(mm)$	729	729	729
	4.22	Fork dimensions	$s/e/l(mm)$	60/173/1150	60/173/1150	60/173/1150
	4.25	Width across forks	$b5(mm)$	540/685	540/685	540/685
	4.32	Ground clearance	$m2(mm)$	25	25	25
	4.34	Aisle width for 800x1200 mm pallets	$Ast(mm)$	1935	2005	2225
4.35	Turning radius	$Wa(mm)$	1440	1490	1750	
Performances	5.1	Travel speed, laden/unladen	km/h	6/6	6/6	6/6
	5.2	Lift speed, laden/unladen	mm/s	25/35	22/30	35/45
	5.3	Lowering speed, laden/unladen	mm/s	30/35	35/35	40/40
	5.8	Gradeability laden/unladen	%	8/15	8/15	8/15
	5.10	Service brake		electromagnetic		
Electrical system	6.1	Drive motor rating S2 60 min	kW	1,3	1,3	1,7
	6.2	Lift motor rating at S3 15 %	kW	0,8	0,8	2,2
	6.3	Battery acc. to DIN 43531 / 35 / 36 A, B, C, No		2VBS	2PzS	3PzS
	6.4	Battery voltage, nominal capacity K5	V/Ah	24/160	24/210	24/350
	6.5	Battery weight	kg	150	215	345
	6.6	Energy consumption acc. to VDI cycle	kWh/h	0,18	0,18	0,18
Additional data	8.1	Type of drive control		AC - speed control		
	8.4	Noise level at driver's ear acc. to EN12053	$dB(A)$	67	69	65