

PH15



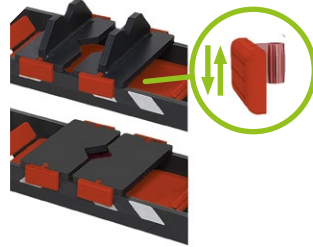
Hydraulic workshop press 15 tons

FEATURES

- Versatile, can be used on a workbench
- Height adjustable work table (three positions)
- Manual pump
- Tool storage compartment adjustable in height
- Includes a flat prism and reversible V-blocks



Easy access to hydraulic components

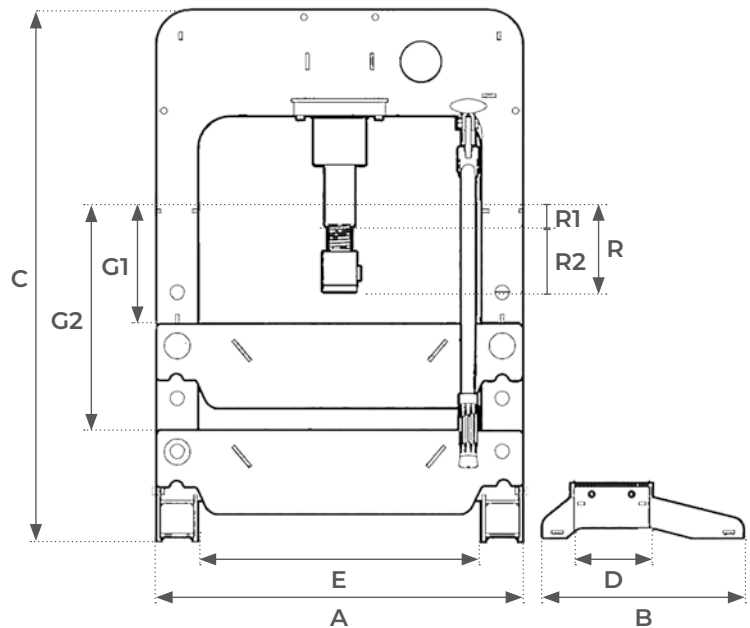
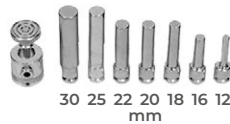


Includes a flat prism and reversible V-blocks



IN OPTION

Punch set



Model		PH15
Load capacity	t	15
Total length	A mm	550
Total width	B mm	430
Total height	C mm	800
Support width	D mm	132
Internal length	E mm	350
Min. work height	G1 mm	45
Max. work height	G2 mm	338
Cylinder body height	R1 mm	95
Ram stroke	R2 mm	75
Cylinder total height	R mm	170
Weight	kg	48