

P MR



Motorized hydraulic workshop press 50 to 150 tons

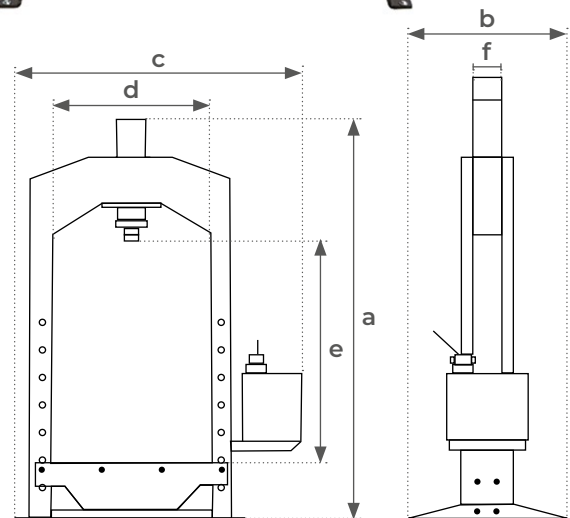
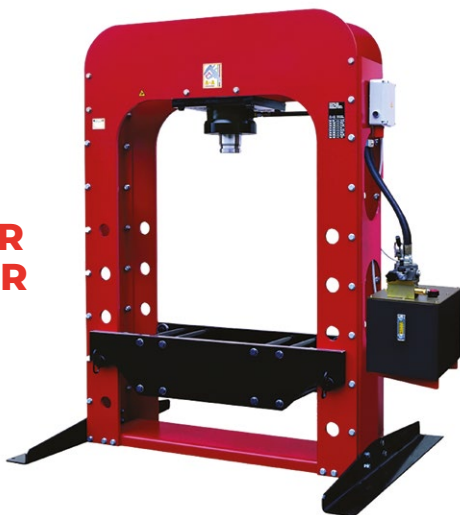
FEATURES

- Exceptional performance and precision
- Automatic two speeds
- Pressure gauge for power adjustment
- Maximum pressure valve
- Hydraulic submersible pump motor
- 20 bar quick lift pump



**P50MR
P70MR**

**P110MR
P150MR**



	P50MR	P70MR	P110MR	P150MR
a mm	1965	2100	2030	2100
b mm	800	800	1280	1280
c mm	1550	1700	1880	1880
d mm	800	900	1004	1004
e mm	1060	1120	1060	1000
f mm	160	190	280	280

Model		P50MR	P70MR	P110MR	P150MR
Load capacity	t	50	70	110	150
Approach speed	mm/min	1800	1600	1600	1450
Working speed	mm/min	350	250	161	115
Ram stroke	mm	300	300	300	500
Power	V	400	400	400	400
Engine power	kW	3	3	3	3
Max absorbed current	A	5,5	5,5	7,3	7,3
Weight	kg	500	550	1100	1300

**OTHER LOAD
CAPACITIES
AVAILABLE**

CONTACT US