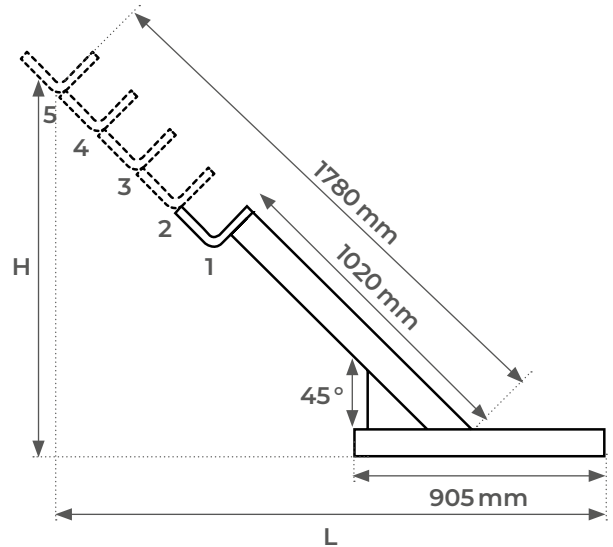
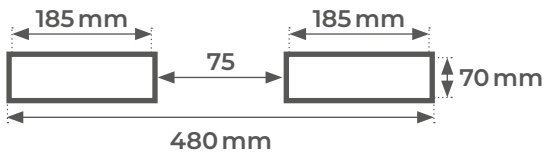


MK15BB

Forklift bulk bag jib 1500 kg

FEATURES

- Robust steel structure
- Five adjustable positions
- Maximum load capacity: 1500 kg in position 1
- Safety chain to secure the device to the forklift
- Epoxy paint coating
- Double fork fitting



Position		1	2	3	4	5
L	mm	1320	1450	1585	1720	1850
H	mm	700	840	975	1110	1245
Load capacity	kg	1500	1365	1245	1140	1065

Model		MK15BB
Load capacity	kg	1500
Extension boom min. / max.	mm	1020 / 1780
Forks sleeves (W x H)	mm	185 x 70
Weight	kg	88

**PLEASE VERIFY
ATTACHMENT MATCHES
FORKLIFT CAPACITIES**