

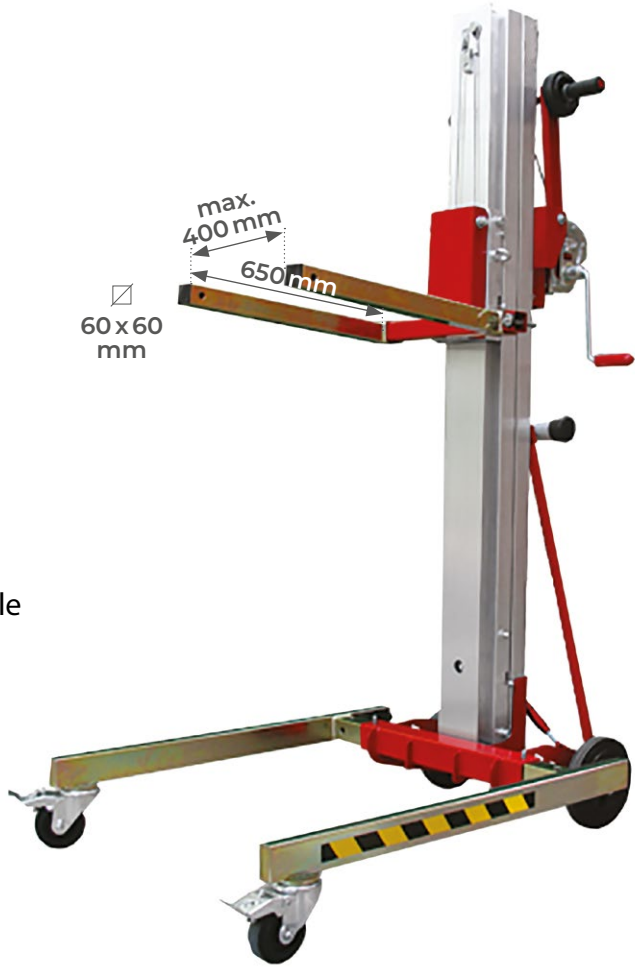
ME-R2900



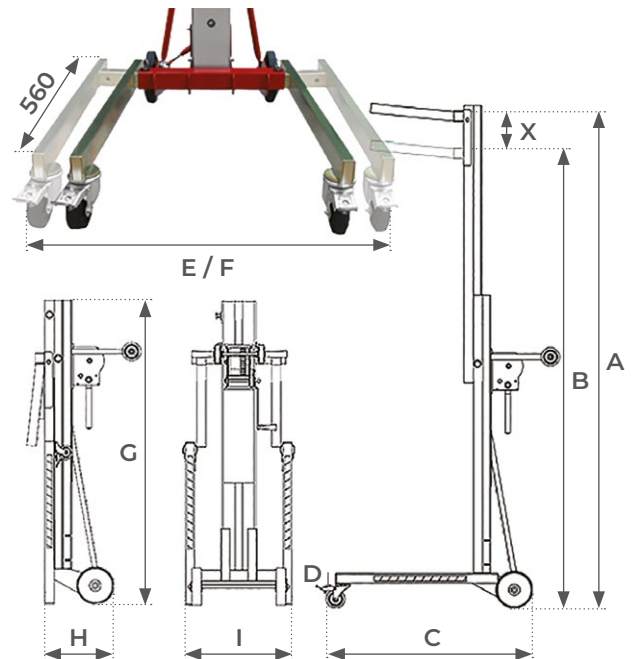
Manual winch lifter 150 kg

FEATURES

- Ready for use in seconds
- Robust compact design
- Invertible forks with adjustable width
- 2 x Ø 200 mm wheels for easy transport
- Two stabilizing arms on the base
- Anti-twist high strength lifting cable
- Spirit level for accurate leg frames leveling
- Manual lifting winch with automatic brake
- Stainless steel cable sheaves with bearings
- German certifications TÜV - GS - BGVD8
- Designed to be transported in a commercial vehicle
- Compact height and width when folded
- Triple independent safety mechanisms: manual winch with automatic brake, automatic anti-fall device, safety lock on each mast



Photos and dimensions are not contractual. The manufacturer reserves the right to make any modification without notice.



Model	A	B	C	D	E	F	G	H	I	X	Weight	
Load capacity in kg at CDG 200 mm	m	m	m	mm	mm	mm	mm	mm	mm	mm	kg	
ME-R2900	150	2,9	2,67	1,07	230	570	750	1770	465	570	230	56,5