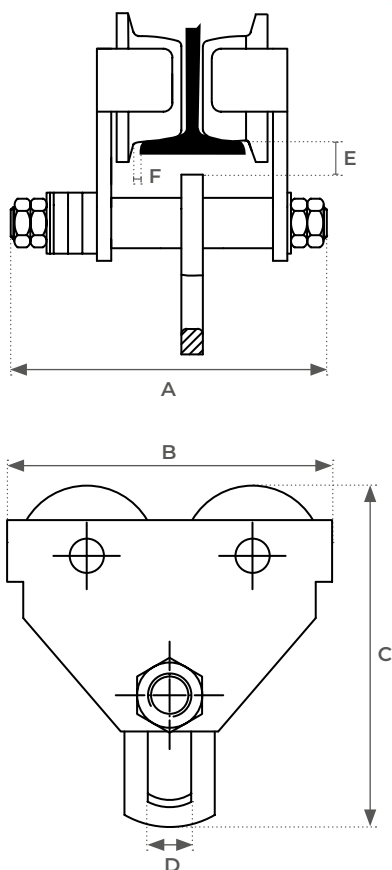
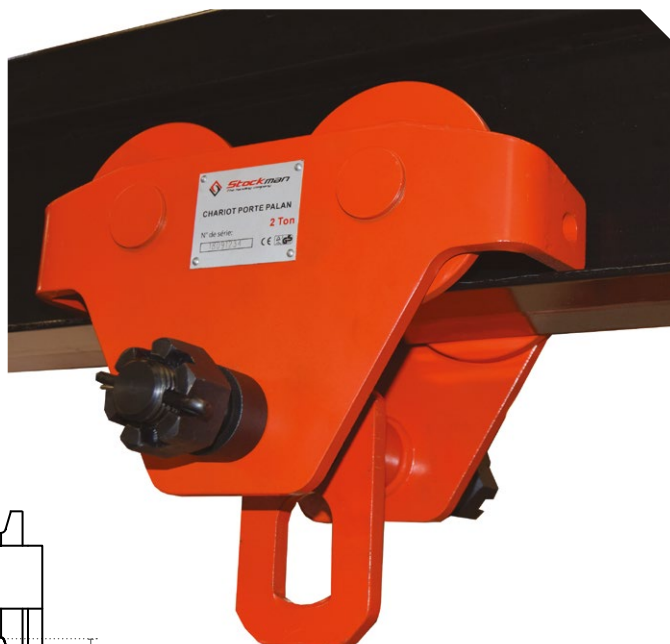


HMTN

Manual hoist trolley 500 to 10000 kg

FEATURES

- Four guide rollers mounted on ball bearings
- Spacing adjustment made by adding or removing washers
- Push travel mechanism



Model		HMTN05	HMTN10	HMTN20	HMTN30	HMTN50	HMTN100
Load capacity	kg	500	1000	2000	3000	5000	10000
Tested up to	kg	625	1250	2500	3750	6250	12500
Setting range	mm	64 - 140	64 - 140	76 - 165	76 - 203	88 - 203	125 - 203
Min. bending radius	mm	600	800	1100	1400	1000	1300
A	mm	230	254	294	344	360	403
B	mm	212	255	302	344	378	455
C	mm	198,5	231,5	278	338	393	490
D	mm	24	30,5	36	45	60	82
E	mm	28	25	27	32	34	36,5
F	mm	≈ 3	≈ 3	≈ 3	≈ 3	≈ 5	≈ 5
Weight	kg	7	12	20,5	33	51	86,5