

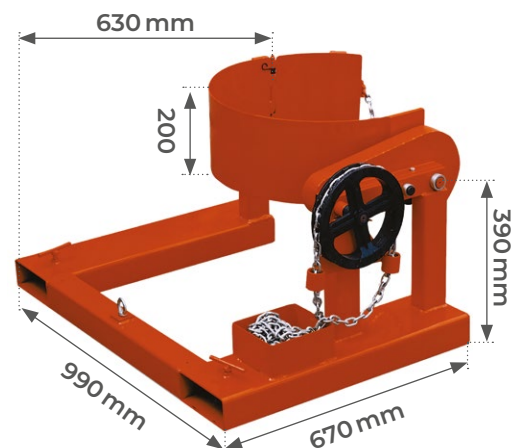
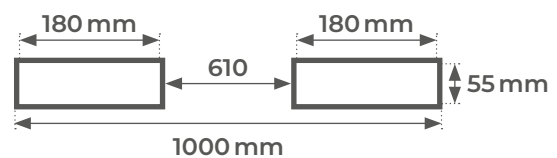
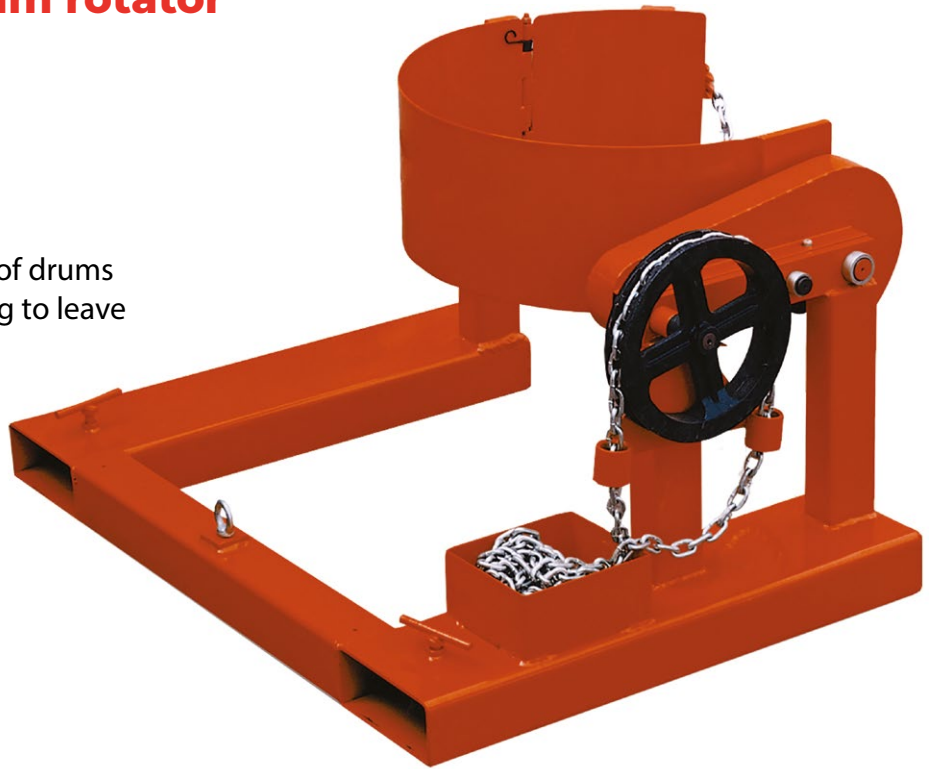
# HK285A



## Chain operated drum rotator 360 kg

### FEATURES

- All-welded steel construction
- Epoxy paint coating
- Horizontal or vertical handling of drums
- Can be operated without having to leave the forklift truck



Model		HK285A
Load capacity	kg	365
Barrel	l	210
Drum diameter	mm	Ø572
Drum height	mm	990
Fork opening	mm	670
Sleeves (LxW)	mm	55 x 180
Weight	kg	70