

HES10 /15 /10 FRLE



**Top quality semi-electric stacker
1000 and 1500 kg maximum load capacity**

DESCRIPTION

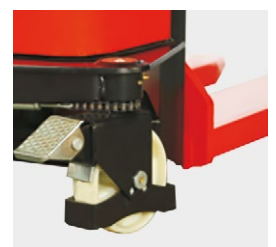
This semi-electric stacker is the best value solution for different stacking applications and truck loading and unloading operations.

FEATURES

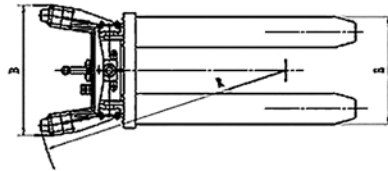
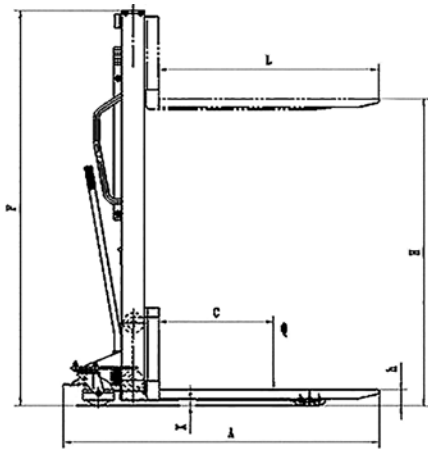
- Rated load capacity of 1000 and 1500 kg
- 1600 to 3500 mm lift height range according to model
- Profiled steel mast
- Hard chrome piston
- Adjustable lift chain
- Powerful lift motor 1,5 kw
- FEM mainframe, adjustable forks and straddle legs on HES10 FRLE



The hand lever provides excellent precision for lift and lower operations. An automatic battery cut-off switch prevents any unauthorized use.



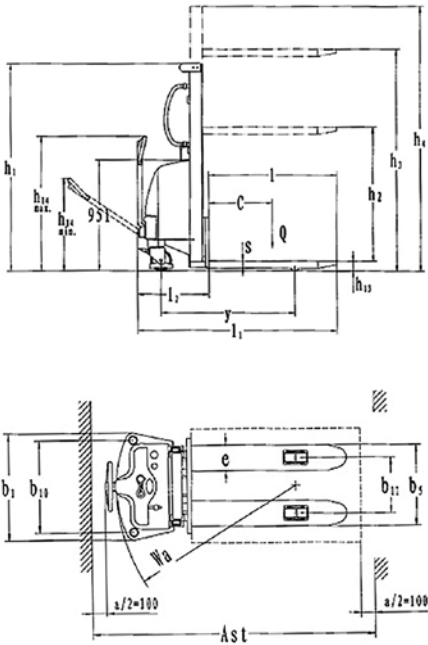
Additional protection on the steering wheels and a mechanical parking brake protect the operators' feet.



A built-in 150 Ah maintenance-free battery supplies enough power to carry out frequent stacking operations. The built-in charger ensures easy and more reliable battery charging.

Technical data according to VDI 2198 regulation

			HES10/1600	HES10/2500
Specifications	1.2	Product Reference ♦ Model		
	1.3	Power supply	manual	manual
	1.4	Operator type	pedestrian	
	1.5	Load capacity	Q(t)	1
	1.6	Load center distance	c(mm)	600
	1.8	Distance from carriage to caster axle	x(mm)	795
	1.9	Wheelbase	y(mm)	1210
Weight	2.1	Weight (batteries included)	kg	330
Wheels	3.1	Wheels	nylon/polyurethane (PU)	
	3.2	Steering wheel dimensions	Øxw(mm)	Ø180x50
	3.3	Load rollers dimensions	Øxw(mm)	Ø74x70
	3.4	Stabilizing rollers dimensions	Øxw(mm)	Ø100x40
	3.5	Number of front/rear wheels (x=driving wheel)		2/4
	3.6	Front axle wheelbase	b10(mm)	680
	3.7	Load roller wheelbase	b11(mm)	400/490
Dimensions	4.2	Mast lowered height	h1(mm)	1980
	4.4	Standard lift	h3(mm)	1600
	4.5	Mast raised height	h4(mm)	1980
	4.9	Tiller height in drive position min/max	h14(mm)	790/1156
	4.15	Fork lowered height	h13(mm)	85
	4.19	Overall length	l1(mm)	1710
	4.20	Front axle to fork face length	l2(mm)	610
	4.21	Overall width	b1(mm)	777
	4.22	Fork dimensions	s/e/l(mm)	60/180/1100
	4.25	Width across forks	b5(mm)	570
	4.33	Aisle width for 1000x1200 mm pallets crossways	Ast(mm)	2232
4.34	Aisle width for 800x1200 mm pallets lengthways	Ast(mm)	2166	
4.35	Turning radius	Wa(mm)	1400	
Performances	5.2	Lift speed, laden/unladen	mm/s	90/140
	5.3	Lowering speed, laden/unladen	mm/s	100/120
	5.10	Service brake		manual
Electrical system	6.2	Lift motor rating at S3 60 min	kW	1,5
	6.4	Battery voltage, nominal capacity K5	V/Ah	12/150
	6.5	Battery weight	kg	45
Additional data	8.4	Noise level at driver's ear acc. to EN12053	dB(A)	67



Technical data according to VDI 2198 regulation

			HES15/1600	HES15/2500	HES15/3000	HES15/3500	
Specifications	1.2	Product Reference ♦ Model					
	1.3	Power supply	manual	manual	manual	manual	
	1.4	Operator type	pedestrian				
	1.5	Load capacity	Q(t)	1,5	1,5	1,5	1,5
	1.6	Load center distance	c(mm)	600	600	600	600
	1.9	Wheelbase	y(mm)	1180	1180	1180	1180
Weight	2.1	Weight (batteries included)	kg	436	516	543	570
Wheels	3.1	Wheels	nylon/polyurethane (PU)				
	3.2	Steering wheel dimensions	Øxw(mm)	Ø180x50	Ø180x50	Ø180x50	Ø180x50
	3.3	Load rollers dimensions	Øxw(mm)	Ø74x70	Ø74x70	Ø74x70	Ø74x70
	3.5	Number of front/rear wheels (x=driving wheel)		2/4	2/4	2/4	2/4
	3.6	Front axle wheelbase	b10(mm)	680	680	680	680
	3.7	Load roller wheelbase	b11(mm)	390/490	390/490	390/490	390/490
	Dimensions	4.2	Mast lowered height	h1(mm)	1980	1780	2030
4.4		Standard lift	h3(mm)	1600	2500	3000	3500
4.5		Mast raised height	h4(mm)	1980	3020	3520	4020
4.9		Tiller height in drive position min/max	h14(mm)	790/1156	790/1156	790/1156	790/1156
4.15		Fork lowered height	h13(mm)	85	85	85	85
4.19		Overall length	l1(mm)	1725	1725	1725	1725
4.20		Front axle to fork face length	l2(mm)	626	626	626	626
4.21		Overall width	b1(mm)	777	777	777	777
4.22		Fork dimensions	s/e/l(mm)	60/180/1100	60/180/1100	60/180/1100	60/180/1100
4.25		Width across forks	b5(mm)	570	570	570	570
4.33		Aisle width for 1000x1200 mm pallets crossways	Ast(mm)	2255	2255	2255	2255
4.34	Aisle width for 800x1200 mm pallets lengthways	Ast(mm)	2212	2212	2212	2212	
4.35	Turning radius	Wa(mm)	1400	1400	1400	1400	
Performances	5.2	Lift speed, laden/unladen	mm/s	65/100	65/100	65/100	65/100
	5.3	Lowering speed, laden/unladen	mm/s	70/85	70/85	70/85	70/85
	5.10	Service brake		manual	manual	manual	manual
Electrical system	6.2	Lift motor rating at S3 60 min	kW	1,5	1,5	1,5	1,5
	6.4	Battery voltage, nominal capacity K5	V/Ah	12/150	12/150	12/150	12/150
	6.5	Battery weight	kg	45	45	45	45
Additional data	8.4	Noise level at driver's ear acc. to EN12053	dB(A)	67	67	67	67

HES10 FRLE

ADJUSTABLE FORKS
+ STRADDLE LEGS



Technical data according to VDI 2198 regulation

			HES10/1600FRLE	HES10/2500FRLE	HES10/3000FRLE
Specifications	1.2	Product Reference ♦ Model			
	1.3	Power supply	manual	manual	manual
	1.4	Operator type	pedestrian		
	1.5	Load capacity	Q(t)	1	1
	1.6	Load center distance	c(mm)	600	600
	1.9	Wheelbase	y(mm)	1318	1318
Weight	2.1	Weight (batteries included)	kg	630	690
Wheels	3.1	Wheels	nylon/polyurethane (PU)		
	3.2	Steering wheel dimensions	Øxw(mm)	Ø180x50	Ø180x50
	3.3	Load rollers dimensions	Øxw(mm)	Ø80x93	Ø80x93
	3.5	Number of front/rear wheels (x=driving wheel)		2/2	2/2
	3.6	Front axle wheelbase	b10(mm)	680	680
	3.7	Load roller wheelbase	b11(mm)	1182/1382	1182/1382
Dimensions	4.2	Mast lowered height	h1(mm)	2044	1854
	4.4	Standard lift	h3(mm)	1600	2500
	4.5	Mast raised height	h4(mm)	2044	3094
	4.9	Tiller height in drive position min/max	h14(mm)	790/1156	790/1156
	4.15	Fork lowered height	h13(mm)	70	70
	4.19	Overall length	l1(mm)	1800	1800
	4.20	Front axle to fork face length	l2(mm)	650	650
	4.21	Overall width	b1(mm)	1294/1494	1294/1494
	4.22	Fork dimensions	s/e/l(mm)	35/100/1100	35/100/1100
	4.25	Width across forks	b5(mm)	570	570
	4.33	Aisle width for 1000x1200 mm pallets crossways	Ast(mm)	2382	2382
4.34	Aisle width for 800x1200 mm pallets lengthways	Ast(mm)	2252	2252	
4.35	Turning radius	Wa(mm)	1580	1580	
Performances	5.2	Lift speed, laden/unladen	mm/s	90/140	90/140
	5.3	Lowering speed, laden/unladen	mm/s	100/120	100/120
	5.10	Service brake		manual	manual
Electrical system	6.2	Lift motor rating at S3 60 min	kW	1,5	1,5
	6.4	Battery voltage, nominal capacity K5	V/Ah	12/150	12/150
	6.5	Battery weight	kg	45	45
Additional data	8.4	Noise level at driver's ear acc. to EN12053	dB(A)	67	67

RESIDUAL CAPACITY

SX ♦ Single

DX ♦ Duplex

TX ♦ Triplex

SL ♦ Straddle legs

FFL ♦ Full free lift

LI ♦ Initial lift

LP ♦ Proportional lift

DA ♦ Electrical power steering

SC ♦ Built-in weighing scale

CP ♦ Pin code

HES10 FRLE ♦ PP. 78 TO 81

HES10/1600FRLE
HES10/2500FRLE
HES10/3000FRLE



HES10/1600FRLE				HES10/2500FRLE				HES10/3000FRLE																																													
h3 (mm)	Q (kg)			h3 (mm)	Q (kg)			h3 (mm)	Q (kg)																																												
															1600	1000	1000	2500	1000	800	3000	800	600				1600	1000	1000	2500	1000	800							1600	1000	1000	cdg (mm)	600	700		cdg (mm)	600	700		cdg (mm)	600	700	
												1600	1000	1000	2500	1000	800	3000	800	600				1600	1000	1000	2500	1000	800							1600	1000	1000	cdg (mm)	600	700		cdg (mm)	600	700		cdg (mm)	600	700				
									1600	1000	1000	2500	1000	800	3000	800	600				1600	1000	1000	2500	1000	800							1600	1000	1000	cdg (mm)	600	700		cdg (mm)	600	700		cdg (mm)	600	700							
					1600	1000	1000		2500	1000	800	3000	800	600				1600	1000	1000	2500	1000	800							1600	1000	1000	cdg (mm)	600	700		cdg (mm)	600	700		cdg (mm)	600	700										
1600	1000	1000	2500	1000	800	3000	800	600																																													
			1600	1000	1000	2500	1000	800																																													
						1600	1000	1000																																													
cdg (mm)	600	700		cdg (mm)	600	700		cdg (mm)	600	700																																											