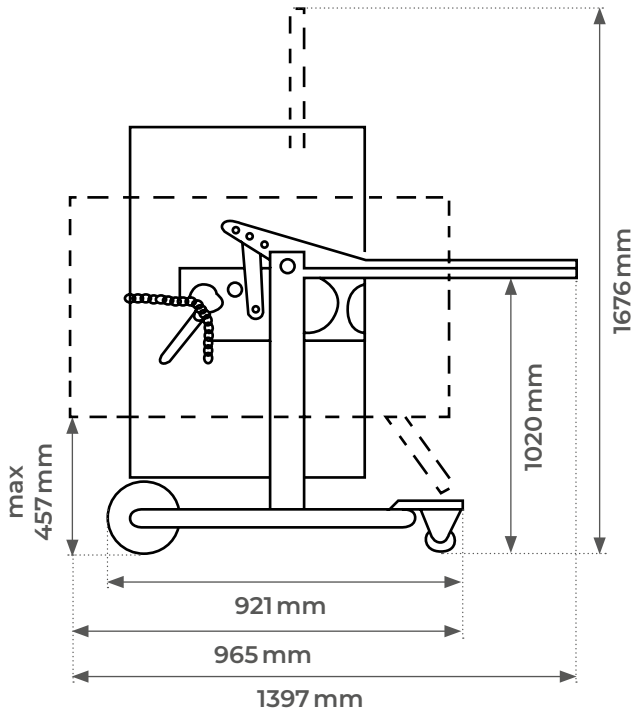
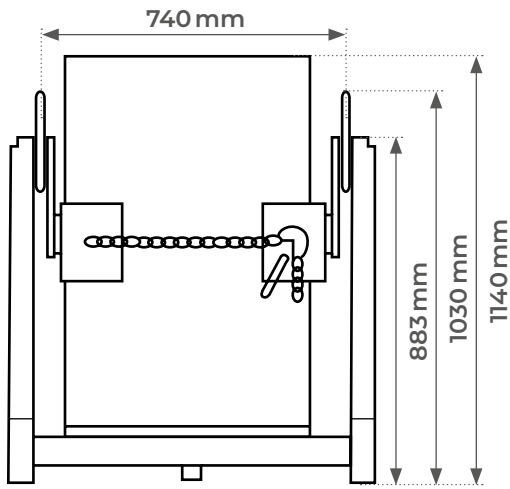


# HD80A

## Manual drum dispenser 360 kg

### FEATURES

- Steel structure, epoxy coating
- Safety chain attachment



Model		HD80A
Load capacity	kg	360
Barrel	l	210
Drum diameter	mm	Ø570
Drum height	mm	915
Weight	kg	50