

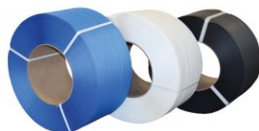
# EXS-303



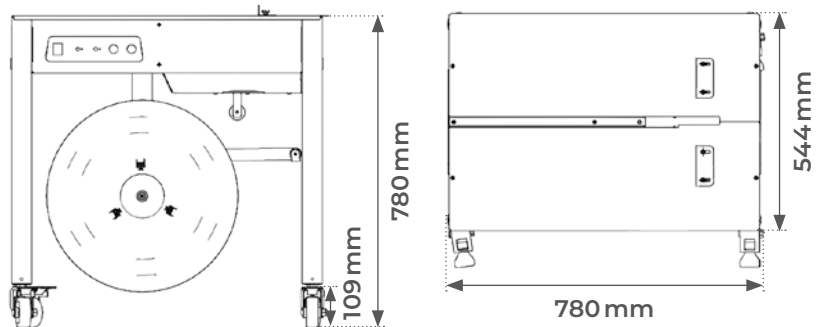
## Semi-automatic strapping machine with electronic tension control

### FEATURES

- Automatic electronic tension adjustment
- Extremely precise electronic strap tension adjustment guarantees optimal strapping
- Remarkably silent
- Strong, reliable and low-maintenance thanks to its direct drive motor
- Drive motor without chain or belt
- Equipped with standard cooling delay
- Economic motor, starts only when the strap is inserted
- Fitted as standard with four swivel castors with brakes



PP strapping  
(See page 17)



Electronic tension control panel

Model		EXS-303
Strapping width	mm	5 to 15,5
Strapping mandrel	mm	Ø 200
Tension force	kg	1 to 55
Power supply	V	220 single-phase
Engine power	kw	0,15
Dimensions (LxWxH)	mm	780x544x780
Weight	kg	46



Direct drive motor