

# EXP-103-PLUSN



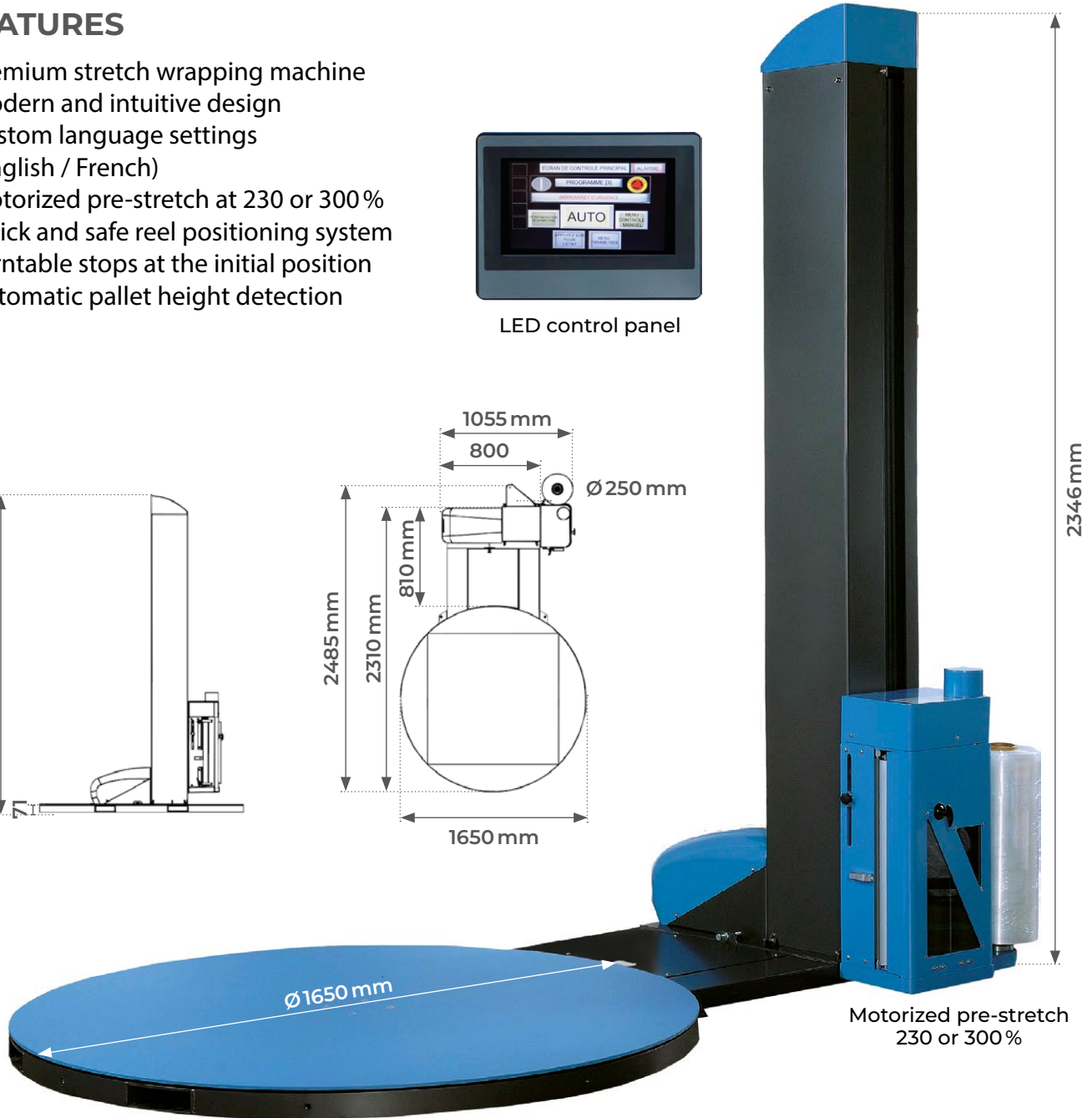
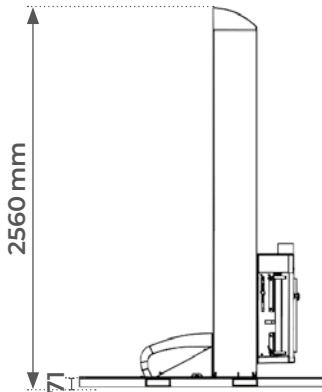
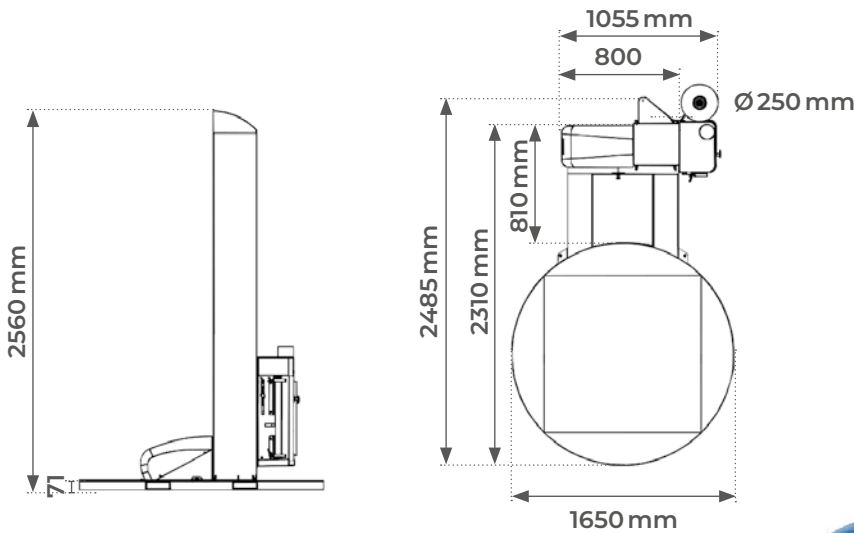
## Premium pallet wrapping machine with motorized pre-stretch

### FEATURES

- Premium stretch wrapping machine
- Modern and intuitive design
- Custom language settings (English / French)
- Motorized pre-stretch at 230 or 300 %
- Quick and safe reel positioning system
- Turntable stops at the initial position
- Automatic pallet height detection



LED control panel



Motorized pre-stretch 230 or 300 %

Model		EXP-103-PLUSN
Stretch wrapping height	mm	2200
Turntable diameter	mm	1650
Rotation per minute	r/min	12
Maximum capacity	kg	2000
Power supply	V	220 single-phase
Engine power	W	1200
Dimensions (L x W x H)	mm	2485 x 1500 x 2560
Weight	kg	516

### AVAILABLE IN OPTION

Access ramp

